

### 10.1 Spare parts for models UE001 to UE018

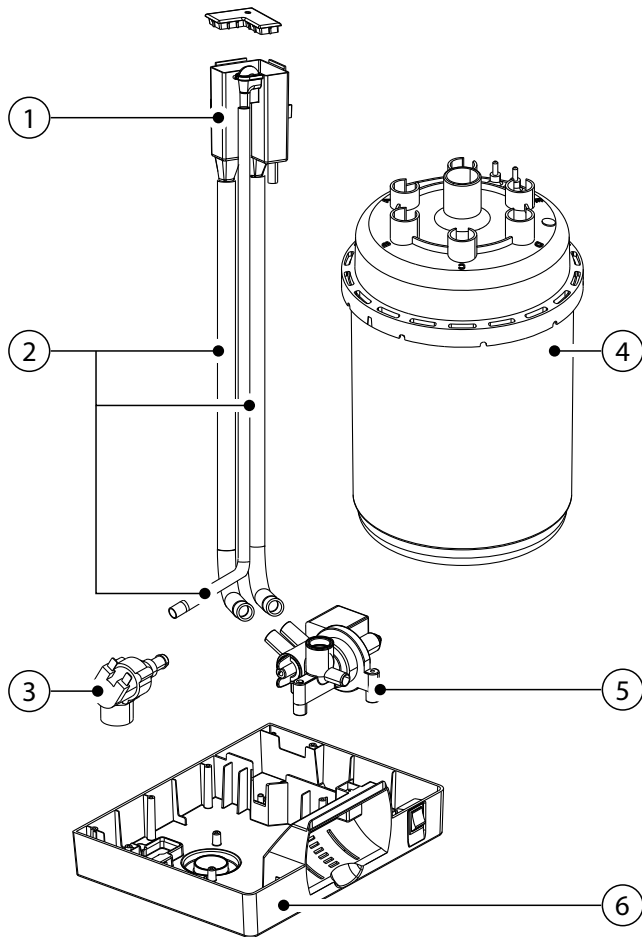


Fig. 10.a

#### Key

- 1 fill tank
- 2 internal tubing kit
- 3 fill solenoid valve kit
- 4 cylinder
- 5 manifold with drain pump
- 6 plastic base
- 7 plastic humidifier top
- 8 TAM (transformer for measuring the current)
- 9 transformer
- 10 contactor
- 11 fuse holder F1-F2
- 12 pCO<sub>e</sub> expansion board ( controller I/O expansion )
- 13 electronic controller
- 14 fuse holder F3
- 15 power terminals
- 16 utility terminal block
- 17 switch
- 18 terminal with display

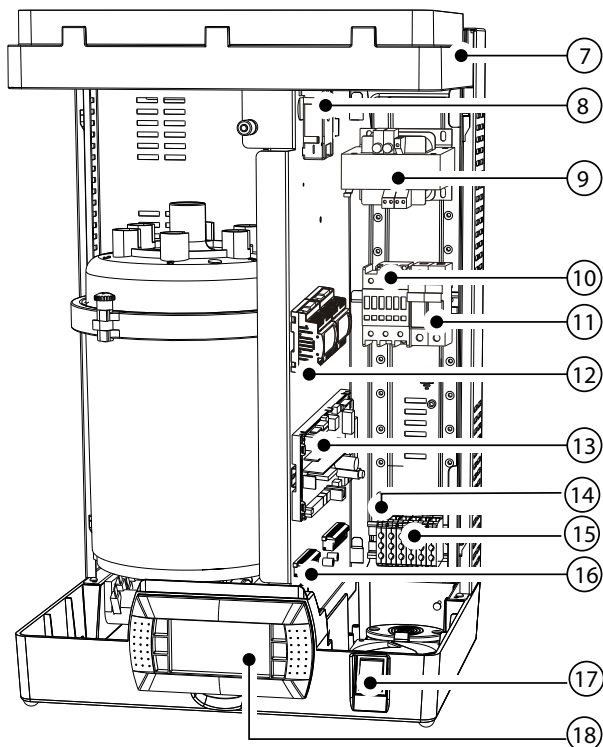


Fig. 10.b

Table of water circuit, electrical and electronic spare parts, UE001 to 018

description	spare part code								position	fig.
	UE001	UE003	UE005	UE008	UE009	UE010	UE015	UE018		
Water circuit										
Fill tank + conductivity meter	UEKVASC100								1	11.a
Fill solenoid valve kit	KITVC10006				KITVC10011				3	11.a
Internal tubing kit	UEKT10000M								2	11.a
Plastic humidifier base	UEKBOTTOM0								6	11.b
Plastic humidifier top	UEKTOP0000								7	11.a
Assembled f/d manifold + 230 V pump	UEKDRAIN01								5	11.a
Electrical and electronics										
Display terminal	HCT1EWW000								18	11.b
TAM (current transformer)	UEKTAM0000								8	11.b
Contactor	UEKCONT300	UEKCONT400						10	11.b	
Trasformatore alimentazione: 230-400/24 V	UEKTR30000								9	11.b
Controllo elettronico <sup>(1)</sup>	UEWzzv00xi <sup>(2)</sup>								13	11.b
pCOe expansion board (controller I/O expansion)	PCOE00TLN0								12	11.b
Fuse holder (F1,F2)	URKFH10000								11	11.b
Fuse holder (F3,F5,F6,AP1,AP2)	UEKFH10000								14	11.b
F1 - F2 230 to 400 Vac power fuses	UEKFUSE100								-	see electrical diagram
F5 - F6 Fusibile pCOe	0605615AXX								-	see electrical diagram
AP1 - AP2 Morsetto fusibile	0605595AXX								-	see electrical diagram
F3 Pump fuse	UEKFUSE200								-	see electrical diagram
F4 Transformer secondary fuse	UEKFUSE400								-	see electrical diagram
Connection cable between terminal and electronic controller	S90CONN002								-	

Tab. 10.a

<sup>(1)</sup> To make an order specify the complete product code and the serial number of your humidifier.

<sup>(2)</sup> zz: board version

0A: basic version up to UE65 model

01,.....,65 kg/h

v: voltage

x: revision

i: 0 single packing; 1: multiple packing

Table of spare part codes, single-phase cylinders UE001 to 009, electrode and gasket kit

Model		UE001	UE003	UE005	UE009
STANDARD disposable cylinders	200/230 Vac 1~, conductivity 350 to 1250 µS/cm	BL0S1F00H2	BL0S1F00H2	BL0S2E00H2	BL0S3F00H2
SPECIAL disposable cylinders	200/230 Vac 1~, conductivity 75 to 350 µS/cm	BL0S1E00H2	BL0S1E00H2	BL0S2E00H2	BL0S3E00H2
SPECIAL openable cylinders	200/230 Vac 1~, conductivity 75 to 350 µS/cm	BLCS1E00W2	BLCS1E00W2	BLCS2E00W2	BLCS3E00W2
Electrode and gasket kit	200/230 Vac 1~, conductivity 350 to 1250 µS/cm	BLCS1F00W2	BLCS1F00W2	BLCS2E00W2	BLCS3F00W2
	200/230 Vac 1~, conductivity 75 to 350 µS/cm	KITBLCS1E2	KITBLCS2E2	KITBLCS2E2	KITBLCS3E2
Filter gasket kit	200/230 Vac 1~, conductivity 350 to 1250 µS/cm	KITBLCS1F2	KITBLCS2F2	KITBLCS2E2	KITBLCS3F2
		KITBLC1FG0	KITBLC2FG0	KITBLC2FG0	KITBLC3FG0

Tab. 10.b

Table of spare part codes, three-phase cylinders UE003 to 018, electrode and gasket kit

Model		UE003	UE005	UE008	UE010	UE015	UE018
STANDARD disposable cylinders	200/230 Vac 3~, conductivity 350 to 1250 µS/cm	BL0T1B00H2	BL0T2A00H2	BL0T2A00H2	BL0T3A00H2	BL0T3A00H2	--
	400 Vac 3~, conductivity 350 to 750 µS/cm	BL0T1C00H2	BL0T2C00H2	BL0T2C00H2	BL0T3C00H2	BL0T3C00H2	BL0T3C00H2
SPECIAL disposable cylinders	200/230 Vac 3~, conductivity 75-350 µS/cm	BL0T1A00H2	BL0T2A00H2	BL0T2A00H2	BL0T3A00H2	BL0T3A00H2	--
	400 Vac 3~, conductivity 75 to 350 µS/cm	BL0T1A00H2	BL0T2B00H2	BL0T2B00H2	BL0T3B00H2	BL0T3B00H2	BL0T3B00H2
	400 Vac 3~, conductivity 750 to 1250 µS/cm	BL0T1D00H2	BL0T2D00H2	BL0T2D00H2	BL0T3D00H2	BL0T3D00H2	BL0T3D00H2
SPECIAL openable cylinders	200/230 Vac 3~, conductivity 75-350 µS/cm	BLCT1A00W2	BLCT2A00W2	BLCT2A00W2	BLCT3A00W2	BLCT3A00W2	--
	400 Vac 3~, conductivity 75 to 350 µS/cm	BLCT1A00W2	BLCT2B00W2	BLCT2B00W2	BLCT3B00W2	BLCT3B00W2	BLCT3B00W2
	400 Vac 3~, conductivity 350 to 750 µS/cm	BLCT1C00W2	BLCT2C00W2	BLCT2C00W2	BLCT3C00W2	BLCT3C00W2	BLCT3C00W2
	400 Vac 3~, conductivity 750 to 1250 µS/cm	BLCT1D00W2	BLCT2D00W2	BLCT2D00W2	BLCT3D00W2	BLCT3D00W2	BLCT3D00W2
Electrode and gasket kit	Electrode kit 200/230 Vac 3~, 75/350 µS/cm	KITBLCT1A2	KITBLCT2A2	KITBLCT2A2	KITBLCT3A2	KITBLCT3A2	--
	Electrode kit 200/230 Vac 3~, 350/1250 µS/cm	KITBLCT1B2	KITBLCT2A2	KITBLCT2A2	KITBLCT3A2	KITBLCT3A2	--
	Electrode kit 400 Vac 3~, 75/350 µS/cm	KITBLCT1A2	KITBLCT2B2	KITBLCT2B2	KITBLCT3B2	KITBLCT3B2	KITBLCT3B2
	Electrode kit 400 Vac 3~, 350/750 µS/cm	KITBLCT1C2	KITBLCT2C2	KITBLCT2C2	KITBLCT3C2	KITBLCT3C2	KITBLCT3C2
	Electrode kit 400 Vac 3~, 750/1250 µS/cm	KITBLCT1D2	KITBLCT2D2	KITBLCT2D2	KITBLCT3D2	KITBLCT3D2	KITBLCT3D2
	Filter gasket kit	KITBLC1FG0	KITBLC2FG0	KITBLC2FG0	KITBLC3FG0	KITBLC3FG0	KITBLC3FG0

Tab. 10.c