

7.4 Spare parts

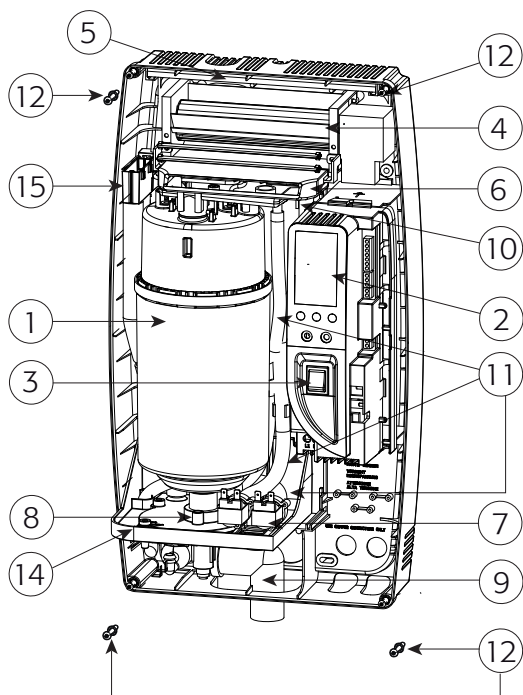


Fig. 7.d

Item	Component code	Description
1	CYLINDERS SEE TABLE 7.b	
2	CHM05V2001	CONTROL MODULE 5.4 kg/h 230V WITH DRAIN PUMP
	CHM03V2001	CONTROL MODULE 3.2 kg/h 230V WITH DRAIN PUM
	CHM01V2001	CONTROL MODULE 1.6 kg/h 230V WITH DRAIN PUMP
	CHM02V1001	CONTROL MODULE 2.5 kg/h 110V WITH DRAIN PUMP
	CHM01V1001	CONTROL MODULE 1.6 kg/h 110V WITH DRAIN PUMP
3	CHKSW16000	ON-OFF SWITCH FOR COMPACTSTEAM
4	CHKFAN1000	FAN KIT 110V
	CHKFAN2000	FAN KIT 230V
5	CHKFILT000	FAN FILTER
6	CHKDIST000	STEAM DISTRIBUTOR KIT
7	CHKFV01001	FILL SOLENOID VALVE + DRAIN TEMPERING 110 V FOR DRAIN PUMP
	CHKFV02001	FILL SOLENOID VALVE + DRAIN TEMPERING 230 V FOR DRAIN PUMP
8	CHKDP01000	KIT FOR DRAIN PUMP 110V
	CHKDP02000	KIT FOR DRAIN PUMP 230V
9	CHKD900000	TUBING TO CONNECT TO DRAIN 90°
10	CHKFT00000	FILL TANK + PLUG FOR DRAIN PUMP
15	CHKDT0000	DRAIN TANK + PLUG FOR DRAIN PUMP
11	CHKTR00001	ROOM TUBING KIT FOR DRAIN PUMP
	CHKTD00001	DUCT TUBING KIT FOR DRAIN PUMP
12	CHKSCREW00	COVER FASTENING SCREWS
14	CHKBT00001	BOTTOM TANK FOR DRAIN PUMP
	CHKCAB0000	WIRING KIT FOR UNIT WITH DRAIN PUMP
	MCH2004850	RS485 KIT
	98C425C001	RS232 - RS485 SERIAL CONVERTER
	CHKADAP000	STEAM CYLINDER HOSE ADAPTER

Tab. 7.a

CYLINDERS

Cylinders (item 1)	Rated steam flow		Vac single-phase	Supply water conductivity (µS/cm)		Notes
CY0S1A0000	3.5 lbs/h	1.6 kg/h	110	normal	350-1250	Default in compactSteam
CY0S1A0000	3.5 lbs/h	1.6 kg/h	110	low	100-350	
CY0S1A0000	5.5 lbs/h	2.5 kg/h	110	normal	350-1250	Default in compactSteam
CY0S1A0000	5.5 lbs/h	2.5 kg/h	110	low	100-350	
CY0S1B0000	3.5 lbs/h	1.6 kg/h	230	normal	350-1250	Default in compactSteam
CY0S1C0000	3.5 lbs/h	1.6 kg/h	230	low	100-350	
CY0S1B0000	7 lbs/h	3.2 kg/h	230	normal	350-1250	Default in compactSteam
CY0S1C0000	7 lbs/h	3.2 kg/h	230	low	100-350	
CY0S1C0000	12 lbs/h	5.4 kg/h	230	normal	350-1250	Default in compactSteam
CY0S1D0000	12 lbs/h	5.4 kg/h	230	low	100-350	