

Fig. 17a

Exploded of the cylinder 6-10kg/h (13.2-22 lbs/h)

n.	description	Spare Parts Code		
		UR006 - 1 ~ *	UR006 - 3 ~ **	UR010 - 3 ~ **
1	PTC probe wire terminals		URKTB00000	
2	NTC Probe		URKNTC00000	
3	Wire terminal bracket		URK0000022	
4	NTC well		URKNTCCAS1	
5	Power connection protection cover		URKCOPC00M	
6	Cylinder cover			
8	Cylinder gasket		URKG100000	
11	Cylinder cover locking clamp		URKBR00000	
7	PTC probe		URKPTCS000	
9	Heating elements:			
	with antiadherent film			
	208V	URKH00A347	URKH00A347	URKH00A346
	230V	URKH00A320	URKH00A320	URKH00A322
	400V		URKH00A320	URKH00A322
	460V		URKH00A344	URKH00A347
	575V		URKH00A341	URKH00A342
	without antiadherent film			
	208V	URKH00R347	URKH00R347	URKH00R346
	230V	URKH00R320	URKH00R320	URKH00R322
	400V		URKH00R320	URKH00R322
	460V		URKH00R344	URKH00R347
	575V		URKH00P341	URKH00R342
10	Heating element centring spring 13C453A048		----	
12	Cylinder		URKB100000	
13	Filter, ring nut and pipe union		UEKF000000	
-	Gasket kit		URKG00000M	

Tab. 17.a

Exploded of the cylinder 2-4 kg/h (4.4 - 8.8 lbs/h)

n.	description	Spare Parts Code		
		UR002	UR004	
1	NTC probe	URKNTC0000		
2	NTC well	URKNTCCAS2		
3	PTC probe wire terminals	URKTB00000		
4	Terminal fastening bracket	URK0000022		
5	Power connection protection cover	URKCOPC00S		
6	Cylinder cover	URKG100000		
8	Cylinder gasket			
10	Cylinder cover locking clamp			
7	PTC probe			URKBR000000
9	Heating elements:	URKPTCS000		
	with antiadherent film	208V	URKH00A348	URKH00A349
		230V	URKH00A348	URKH00A349
	without antiadherent film	208V	URKH00R348	URKH00P349
		230V	URKH00R348	URKH00P349
11	cylinder	URKB040000		
12	filter, ring nut and pipe union	UEKF000000		
13				
-	Gasket kit	URKG00000M		

Tab.le17.b

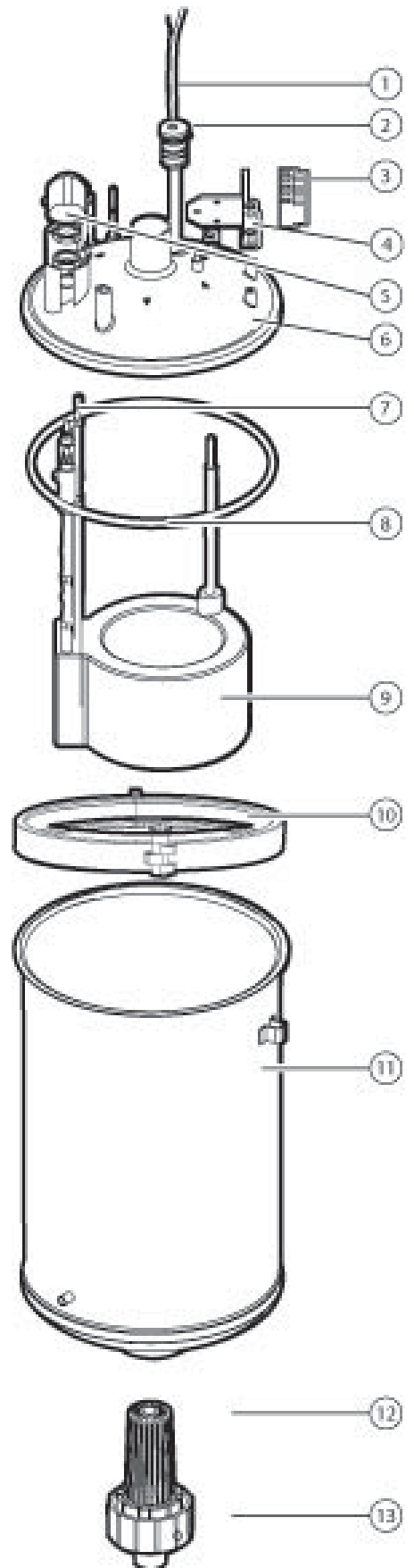


Fig. 17b

		UR006 to UR010	
1	tank	UEKVASC000	
2	Supply pipe	URKT00000S	URKT00000M
3	Fill electrovalve	KITVC00006	KITVC0012
4	Level control:	URKSL00004	
4a	sensor cap		
4b	o-ring		
4c	sensor floating		
4d	sensor pipe		
4e	control board		
5	Drain electrovalve	URKDRAIN00	URKDRAIN00
6	A/D manifold (fill - drain)		
7	Drain pipe	URKT00000S	URKT00000M
8	Overflow pipe		

Table 17.d

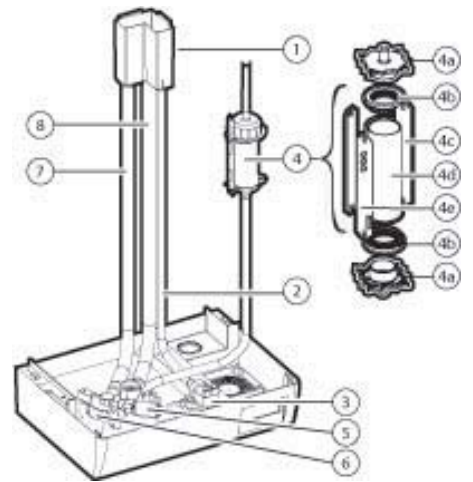


Fig. 17.d