

Exploded of the cylinder 20-27-40-60 kg/h 44.1-59.5-88.1-132.3 lbs/h )

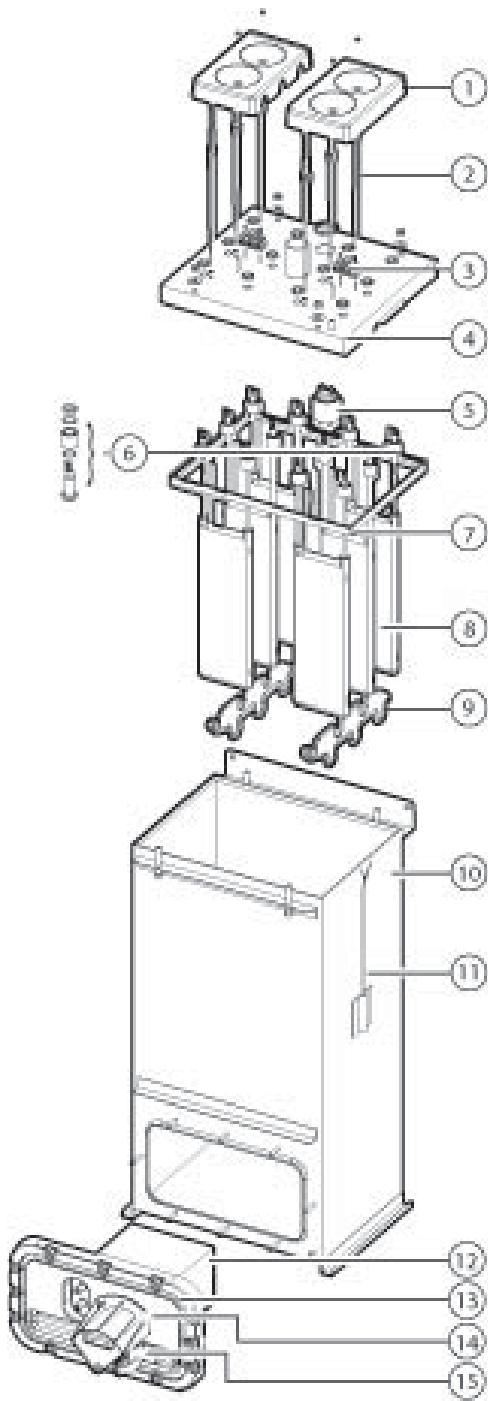


Fig. 17c

n.	description	Spare Parts Code				
		UR020	UR027	UR040	UR060	
1	Heating element protection	---				
2	PTC probe	URKPTCL000				
3	PTC probe wire terminals	URKTB00000	URKTB00000	URKTB00000	URKTB00000	
4	Cylinder cover	URKCOP4000	URKCOP4000	URKCOP4000	URKCOP6000	
5	Anti-foaming system	URKFS00000				
6	Heating element assembly	---	--	--	--	
7	Cylinder gasket	URKG400000	URKG400000	URKG400000	URKG600000	
8	Heating element with antiadherent film	6 x	6 x	6 x	9 x	
		208V	URKH00A382	URKH00A383		
		230V	URKH00A381	URKH00A382		
		400V	URKH00A381	URKH00A382	URKH00A387	URKH00A387
		460V	URKH00A386	URKH00A381	URKH00A390	URKH00A390
	without antiadherent film	575V	URKH00A385	URKH00A380	URKH00A389	URKH00A389
		208V	URKH00R382	URKH00R383		
		230V	URKH00R381	URKH00R382		
		400V	URKH00R381	URKH00R382	URKH00R387	URKH00R387
		460V	URKH00R386	URKH00R381	URKH00R390	URKH00R390
575V	URKH00R385	URKH00R380	URKH00R389	URKH00R389		
9	Heating element centring spring	---				
10	Cylinder	URKB270000		URKB400000	URKB600000	
11	NTC probe	URKNTC0000				
12	Use filter	URKF0000XL				
13	Use flange	URKFLAN000				
14	Pump fastening braket	URKFLAN000				
15	Drain pump	KITPSR0000				
-	Gasket kit	URKG0000XL			URKG0000XXL	

Table17.c

Water parts ur 20-27-40-60 kg/h ( 44.1-59.5-88.1-132.3 lbs/h )

n.	description	Spare part codes			
		UR020	UR027	UR040	UR060
1	Overflow pipe	URKDC00000			
2	Drain column				
3	Supply pipe	URKT0000XL	URKT0000XL	URKT0000XL	URKT0000XL
4	Level control:	URKSL00004			
4a	Sensor cap				
4b	o-ring				
4c	sensor floating				
4d	sensor pipe				
4e	control board				
5	Drain pump	KITPSR0000			
6	Fill electrovalve	KITVC00040			KITVC00100
7	Drain tank	--	--	--	--

Table 17.e

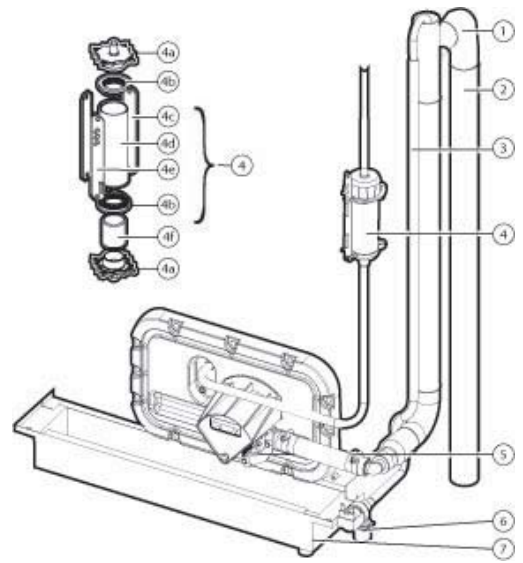


Fig. 17.e