

10.2 Spare parts for models UE025 to UE065

Key:

- 1 drain circuit
- 2 fill solenoid valve kit
- 3 internal tubing kit
- 4 conductivity meter
- 5 drain pump kit
- 6 manifold
- 7 drain pump hose
- 8 cylinder
- 9 TAM (transformer for measuring the current)
- 10 contactor
- 11 transformer
- 12 pCO_e expansion board (controller I/O expansion)
- 13 pump control relay
- 14 fuse holder
- 15 electronic controller
- 16 utility terminal block
- 17 power terminals
- 18 cable clamp
- 19 switch
- 20 terminal with liquid crystal display (fitted on the cover of the electrical compartment)

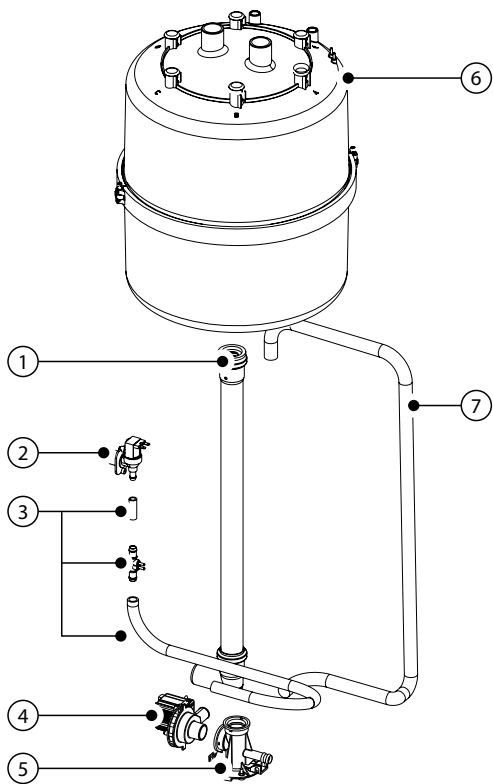


Fig. 10.c

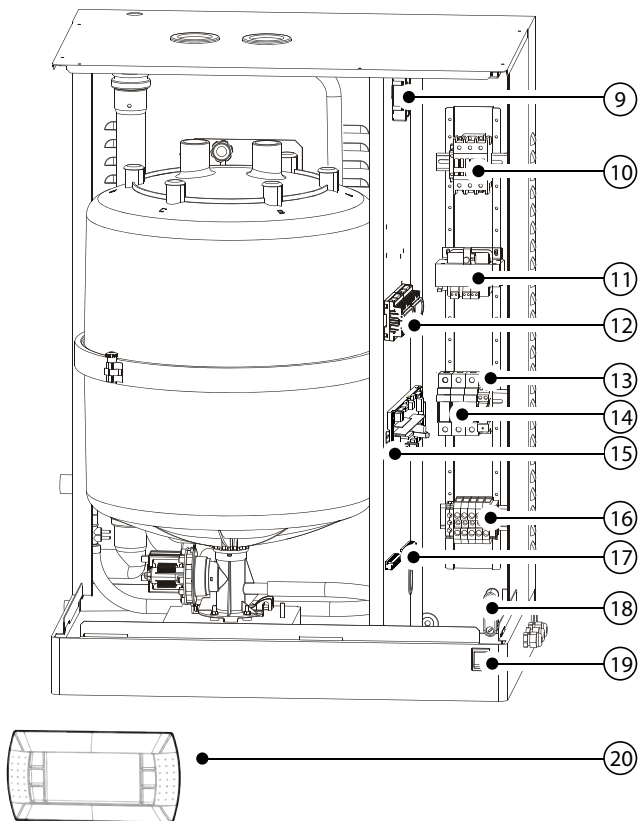


Fig. 10.d

Table of water circuit, electrical and electronic spare parts, UE025 to UE065

Description	Spare part code				position	figure
	UE025	UE035	UE045	UE065		
Water circuit						
Drain pump hose	UEKDH00000				7	11.c
Manifold	UEKCOLL000				6	11.c
Drain pump kit	KITPSE0000				5	11.c
Internal tubing kit	UEKT10000L		UEKT1000XL		3	11.c
Kit double check valve	FWHDCV0000				-	
Conductivity meter kit	KITCN00000				4	11.c
Fill solenoid valve kit	KITVC10058		KITVC10070		2	11.c
Drain circuit	UEKDC00000		UEKDC10000		1	11.c
Electrical and electronics						
Display terminal	HCT1EWF000				20	11.d
pCO _e expansion board (controller I/O expansion)	PCOE00TLN0				12	11.d
TAM (current transformer)	UEKTAM0000				9	11.d
Contacto	UEKCONT400	UEKCONT500		URKCONT300	10	11.d
Power transformer: 230/400-24V	UEKTR30000				11	11.d
Electronic controller ⁽¹⁾	UEWzzv00xi ⁽²⁾				15	11.d
Fuse holder	URKFKH20000				14	11.d
Pump control relay	URKFUSE300				13	11.d
F3 Pump fuse	URKFUSE300				-	see electrical diagram
F4 Transformer secondary fuse	URKFUSE300				-	see electrical diagram
F5-F6 pCO _e fuse	UEKFUSE400				-	see electrical diagram
AP1-AP2 terminal fuse	0605615AXX				-	see electrical diagram
PF1 controller fuse	0605595AXX				-	see electrical diagram
Connection cable between terminal and electronic controller	0605604AXX				-	
Cavo di collegamento tra terminale e controllo	S90CONN002				-	

Tab. 10.d

⁽¹⁾ To make an order specify the complete product code and the serial number of your humidifier.

⁽²⁾ zz: board version

0A: basic version up to UE65 model

01,.....,65 kg/h

v: voltage

x: revision

i: 0 single packing; 1: multiple packing

Table of spare parts for standard and special cylinders UE025 to UE065

Description	UE025	UE035	UE045	UE065	
STANDARD disposable cylinders	200/230 V 3ph cylinder, conductivity 350 to 1250 µS/cm	BL0T4C00H2	BL0T4B00H2	BL0T5A00H1	-
	400 V 3ph cylinder, conductivity 350 to 1250 µS/cm	BL0T4D00H2	BL0T4D00H2	BL0T4C00H2	BL0T5C00H0
SPECIAL disposable cylinders	200/230 V 3ph cylinder, conductivity 75 to 350 µS/cm	BL0T4B00H2	BL0T4B00H2	BL0T5A00H1	--
	400 V 3ph cylinder, conductivity 75 to 350 µS/cm	BL0T4C00H2	BL0T4C00H2	BL0T4B00H2	BL0T5B00H0
SPECIAL openable cylinders	200/230 V 3ph cylinder, conductivity 75 to 350 µS/cm	BLCT4B00W2	BLCT4B00W2	BLCT5A00W1	--
	200/230 V 3ph cylinder, conductivity 350 to 1250 µS/cm	BLCT4C00W2	BLCT4B00W2	BLCT5A00W1	--
	400 V 3ph cylinder, conductivity 75 to 350 µS/cm	BLCT4C00W2	BLCT4C00W2	BLCT4B00W2	BLCT5B00W0
	400 V 3ph cylinder, conductivity 350 to 1250 µS/cm	BLCT4D00W2	BLCT4D00W2	BLCT4C00W2	BLCT5C00W0
Electrode and gasket kit	200/230 V 3ph cylinder, conductivity 75 to 350 µS/cm	KITBLCT4B2	KITBLCT4B2	KITBLCT5A0	--
	200/230 V 3ph cylinder, conductivity 350 to 1250 µS/cm	KITBLCT4C2	KITBLCT4B2	KITBLCT5A0	--
	400 V 3ph cylinder, conductivity 75 to 350 µS/cm	KITBLCT4C2	KITBLCT4C2	KITBLCT4B2	KITBLCT5B0
	400 V 3ph cylinder, conductivity 350 to 1250 µS/cm	KITBLCT4D2	KITBLCT4D2	KITBLCT4C2	KITBLCT5C0
Gasket and filter kit	KITBLC4FG0	KITBLC4FG0	KITBLC4FG0	KITBLC5FG0	

Tab. 10.e